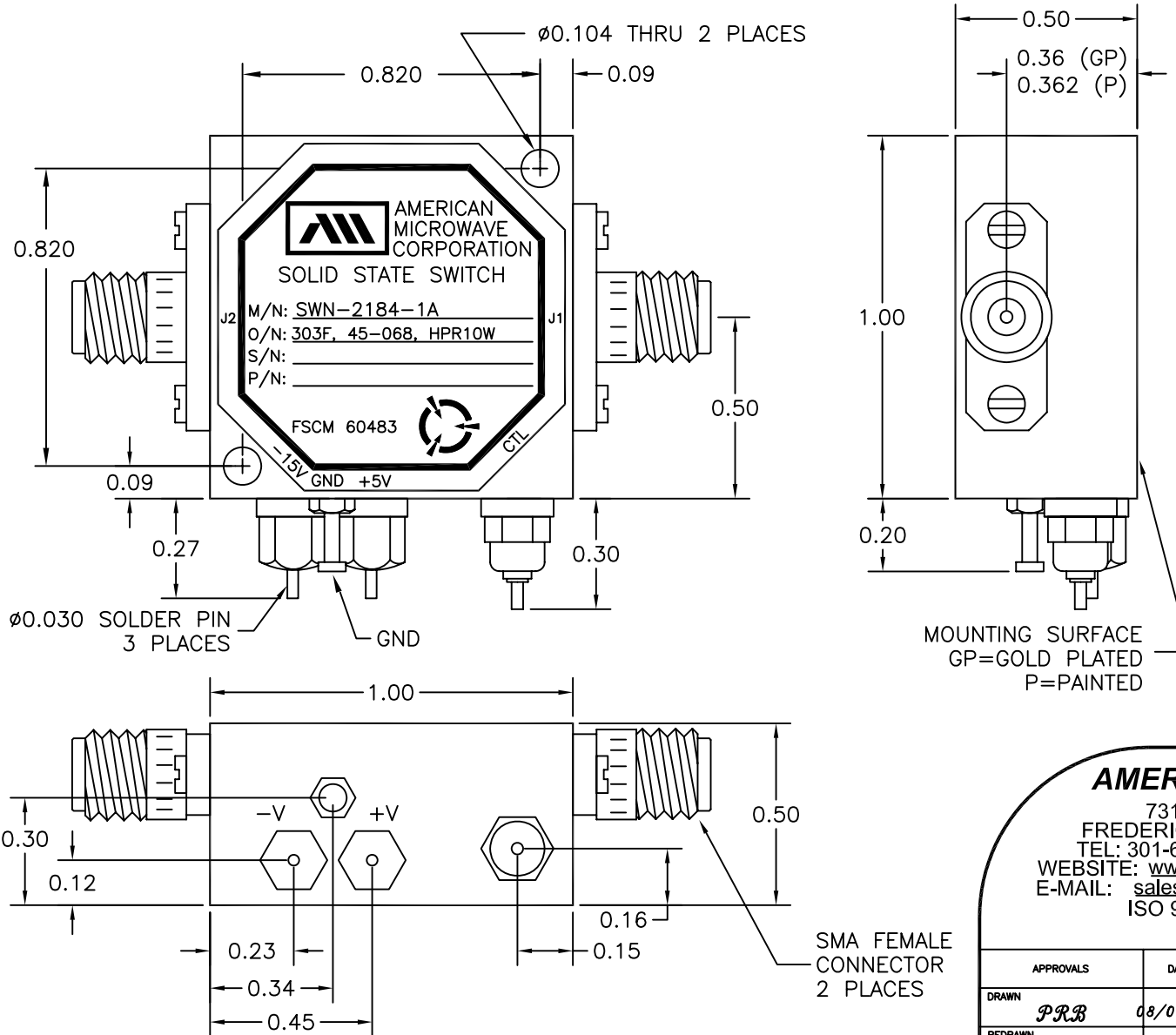


DESCRIPTION

AMC MODEL SWN-2184-1A OPTIONS 303F, 45-068 AND HPR10W IS A SPST REFLECTIVE PIN-DIODE SWITCH/MODULATOR OPTIMIZED FOR A FREQUENCY RANGE OF 3.1 TO 3.5 GHZ WITH THE HIGH POWER OPTION.

REVISIONS				
ZONE	REV.	DESCRIPTION	DATE	APPROVED
	-	ORIGINAL RELEASE JOB# 606122	08/08/06	

MECHANICAL OUTLINE



MOUNTING SURFACE
GP=GOLD PLATED
P=PAINTED

ALL DIMENSIONS ARE IN INCHES
TOLERANCES:
X.XX ±0.020
X.XXX ±0.010

AMERICAN MICROWAVE CORPORATION

7311-G GROVE ROAD
FREDERICK, MARYLAND 21704 USA
TEL: 301-662-4700 FAX: 301-662-4938
WEBSITE: www.americanmicrowavecorp.com
E-MAIL: sales@americanmicrowavecorp.com
ISO 9001:2000 CERTIFIED



APPROVALS		DATE	TITLE		
DRAWN <i>PRB</i>		08/08/06	PRODUCT FEATURE		
REDRAWN <i>RA</i>		09/12/06	SWN-2184-1A		
ISSUED			OPTION: 303F, 45-068, HPR10W		
SIZE	FSCM NO.	DWG NO.	3.1 TO 3.5 GHZ SPST REFLECTIVE PIN-DIODE SWITCH		
A	60483	100-6986-1			
SCALE N:S		SHEET		2 OF 4	

DESCRIPTION

AMC MODEL SWN-2184-1A OPTIONS 303F, 45-068 AND HPR10W IS A SPST REFLECTIVE PIN-DIODE SWITCH/MODULATOR OPTIMIZED FOR A FREQUENCY RANGE OF 3.1 TO 3.5 GHz WITH THE HIGH POWER OPTION.

FEATURES

- 3.1 TO 3.5 GHz
- LOW LOSS
- HIGH POWER
- HIGH ISOLATION
- TTL LOGIC COMPATIBLE
- MINIATURE SIZE

SPECIFICATIONS

- FREQUENCY RANGE 3.1 TO 3.5 GHz
- INSERTION LOSS 2.5dB MAXIMUM
- ISOLATION 60dB MINIMUM
- VSWR 2.0:1
- RISE TIME 100nS MAXIMUM, 75nS TYPICAL
- RECOVERY TIME 250nS MAXIMUM, 220nS TYPICAL
- VIDEO-TRANSIENTS $\leq 2.0V$ PEAK TO PEAK, 300 MHZ BANDWIDTH
 $\leq 2.0V$ PEAK TO PEAK, 20 MHZ BANDWIDTH
- RF INPUT POWER 20 WATTS PEAK, 7 WATTS AVERAGE
- DC POWER (NO LOAD)
 - +V +5VDC @ 100mA
 - V -15VDC @ 50mA MAXIMUM
- SIZE 1.0" x 1.0" x 0.5"
- WEIGHT ≤ 1.0 OZ.

OPTIONS

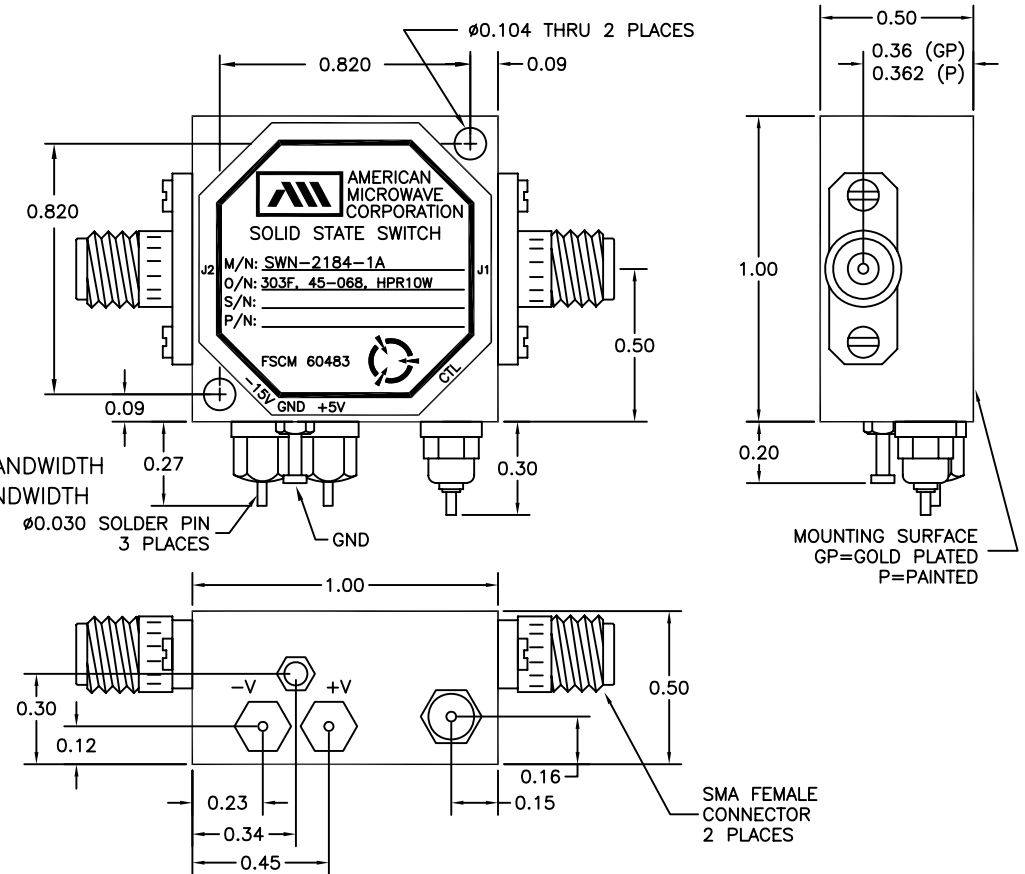
- 303F 3.1 TO 3.5 GHz FREQUENCY RANGE
- 45-068 HIGH POWER OPTION
- HPR10W 10 WATT POWER OPTION

ENVIRONMENTAL RATINGS

- TEMPERATURE -55°C TO +85°C (OPERATING)
 -65°C TO +125°C (STORAGE)
- HUMIDITY MIL-STD-202F, METHOD 103B COND. B
- SHOCK MIL-STD-202F, METHOD 213B COND. B
- VIBRATION MIL-STD-202F, METHOD 204D COND. B
- ALTITUDE MIL-STD-202F, METHOD 105C COND. B
- TEMPERATURE CYCLE MIL-STD-202F, METHOD 107D COND. A

NOTE: SPECIFICATIONS WILL VARY OVER OPERATING TEMPERATURE
 NOTE: THE ABOVE SPECIFICATIONS ARE SUBJECT TO CHANGE OR REVISION

REVISIONS				
ZONE	REV.	DESCRIPTION	DATE	APPROVED
	-	ORIGINAL RELEASE JOB# 606122	08/08/06	



ALL DIMENSIONS ARE IN INCHES
 TOLERANCES:
 X.XX ± 0.020
 X.XXX ± 0.010

AMERICAN MICROWAVE CORPORATION

7311-G GROVE ROAD
 FREDERICK, MARYLAND 21704 USA
 TEL: 301-662-4700 FAX: 301-662-4938
 WEBSITE: www.americanmicrowavecorp.com
 E-MAIL: sales@americanmicrowavecorp.com
 ISO 9001:2000 CERTIFIED



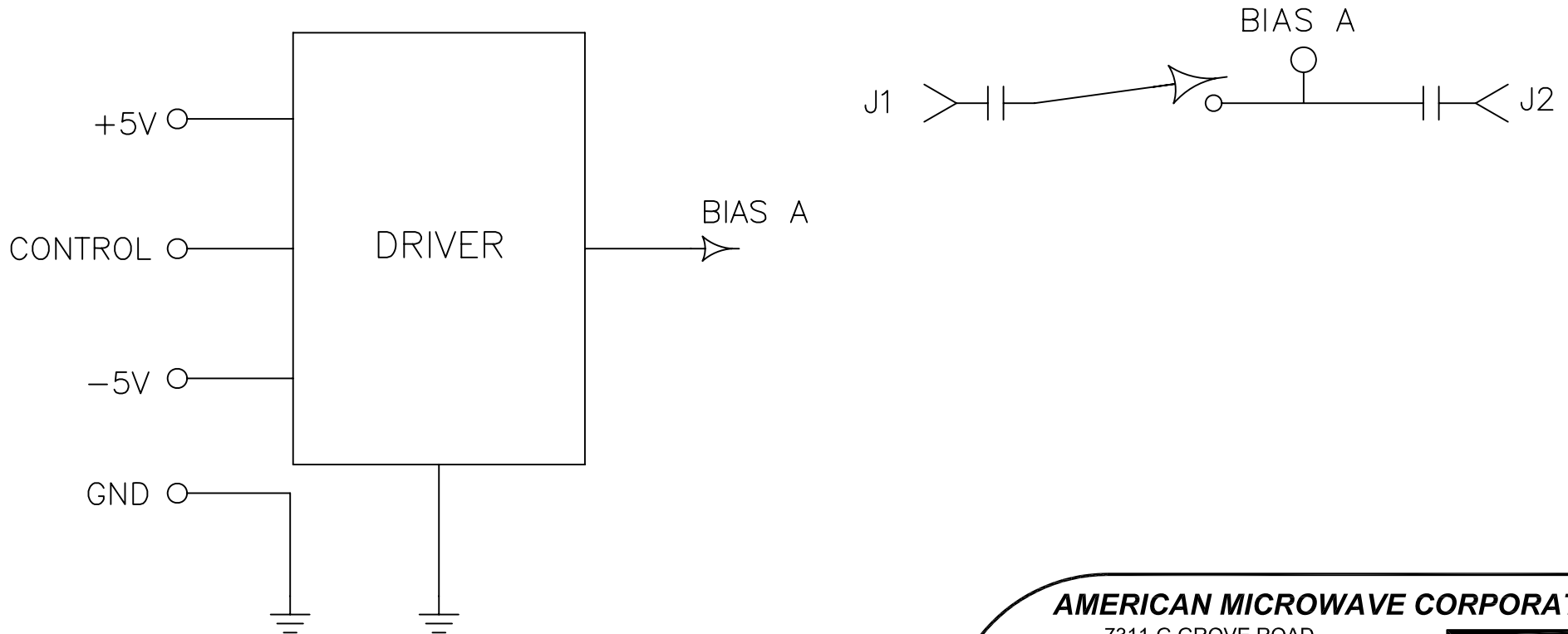
APPROVALS		DATE	TITLE			
DRAWN <i>PRB</i>		08/08/06	PRODUCT FEATURE SWN-2184-1A			
REDRAWN <i>RA</i>		09/12/06	OPTION: 303F, 45-068, HPR10W 3.1 TO 3.5 GHz SPST REFLECTIVE PIN-DIODE SWITCH			
ISSUED			SIZE	FSCM NO.	DWG NO.	REV.
			A	60483	100-6986-1	-
			SCALE	N:S	SHEET	1 OF 4

DESCRIPTION

AMC MODEL SWN-2184-1A OPTIONS 303F, 45-068 AND HPR10W IS A SPST REFLECTIVE PIN-DIODE SWITCH/MODULATOR OPTIMIZED FOR A FREQUENCY RANGE OF 3.1 TO 3.5 GHZ WITH THE HIGH POWER OPTION.

REVISIONS				
ZONE	REV.	DESCRIPTION	DATE	APPROVED
	-	ORIGINAL RELEASE JOB# 606122 RAYTHEON TECHNICAL SERVICES	08/08/06	

FUNCTIONAL BLOCK DIAGRAM



CONFIDENTIAL AND PROPRIETARY

AMERICAN MICROWAVE CORPORATION

7311-G GROVE ROAD
 FREDERICK, MARYLAND 21704 USA
 TEL: 301-662-4700 FAX: 301-662-4938
 WEBSITE: www.americanmicrowavecorp.com
 E-MAIL: sales@americanmicrowavecorp.com
 ISO 9001:2000 CERTIFIED



APPROVALS		DATE	TITLE		
DRAWN	<i>PRB</i>	08/08/06	PRODUCT FEATURE SWN-2184-1A		
REDRAWN	<i>Rd</i>	09/12/06	OPTION: 303F, 45-068, HPR10W 3.1 TO 3.5 GHz SPST REFLECTIVE PIN-DIODE SWITCH		
ISSUED			SIZE	FSCM NO.	DWG NO.
			A	60483	100-6986-1
			SCALE	N:S	SHEET 3 OF 4